

AC Din Rail Meter

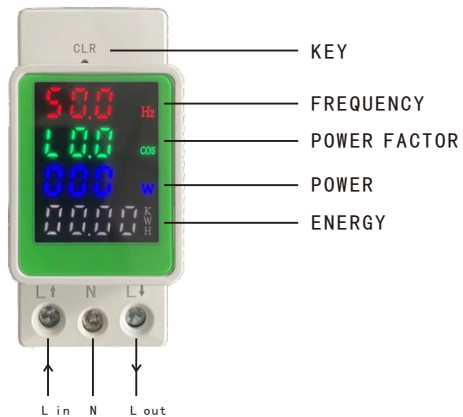
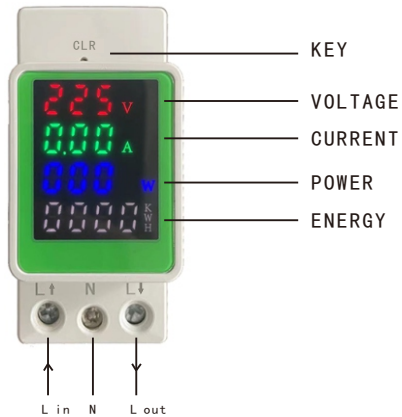
A Function

Measurement of AC voltage, current, active power, frequency, power factor and electric quantity. and color display screen.

B Display

一. Display interface

Color display screen: Loop display, as shown in figure



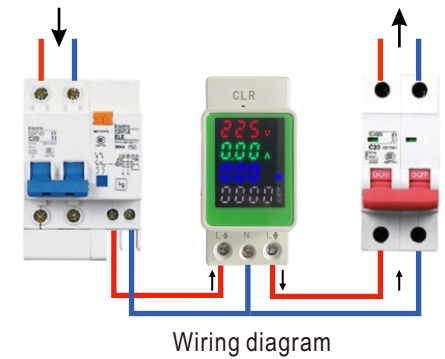
二. Display instruction

- 1. Voltage**
 Measurement range: AC 160V~AC 270V, AC 70V~AC 150V
 Accuracy: $\pm 1\%$
- 2. Current**
 Measurement range: AC 0~100A Display format:
 Starting test current: 0.15A <10A Adisplay such as: 9.99A
 Accuracy: $\pm 1\%$ <100A Adisplay such as: 99.9A
- 3. Active Power**
 Measurement range: 0~25KW Display format:
 Starting test power: 10W <10W Adisplay such as: 9.99W
 Accuracy: $\pm 1\%$ <100W Adisplay such as: 99.9W
 <1000W Adisplay such as: 999W
 <10000W Adisplay such as: 9.99KW
 >10000W Adisplay such as: 99.9KW
- 4. Energy**
 Measurement range: 0~9999KWH Display format:
 Accuracy: $\pm 1\%$ <10KWH Adisplay such as: 9.99KWH
 <100KWH Adisplay such as: 99.99KWH
 <1000KWH Adisplay such as: 999.9KWH

三. Other Function

- Optional function: RS485 communication interface.
- Keep press "CLR" key 10 second, energy clear.

D Wiring Diagram



E Attention

- This product is suitable for indoor use.
- This product is suitable for AC.
- The measurement voltage and ampere shall not exceed the calibration range.
- Make sure the wiring is correct.

C Dimension Diagram (mm)

