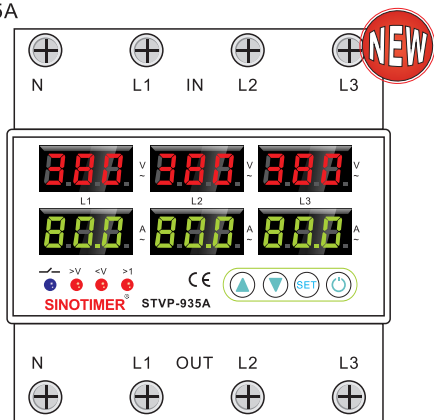


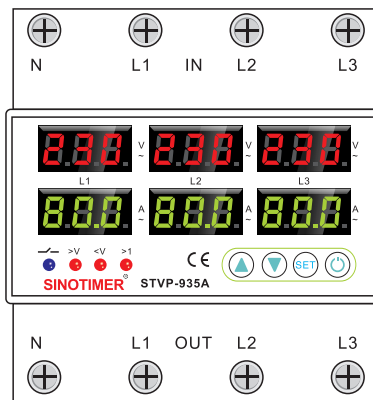
- ◆ STVP-935A Регулируемая трехфазная четырехпроводная защита от перенапряжения с самовозвратом (с ограничением тока) Руководство (двойной светодиодный дисплей)
- ◆ STVP-935A Ajustável Auto-reinicialização Trifásica Quatro Fios Sobre-tensão (com limitação de corrente) Manual do Protetor (Display de LED Duplo)
- ◆ STVP-935A Adjustable Self-resetting Three-phase Four-wire Overvoltage (with current limiting) Protector Manual (Dual LED Display)

SINOTIMER®

Patent NO.: 2023 03 935A



◆ STVP935A-380V VERSION



◆ STVP935A-230V VERSION

- ◆ STVP935A-380V VERSION, THE UPPER LED DISPLAY 380V, PHASE-TO-PHASE VOLTAGE.
- ◆ STVP935A-230V VERSION THE UPPER LED DISPLAY 230V, PHASE-TO-NEUTRAL VOLTAGE.

* Многофункциональное устройство защиты от перенапряжения и пониженного напряжения марки STVP серии SINOTIMER с автоматическим сбросом представляет собой устройство контроля и вспомогательной защиты, подходящее для трехфазной четырехпроводной системы электропитания или электрооборудования. Его основная особенность заключается в том, что линия находится в состоянии перенапряжения или пониженного напряжения, а также в состоянии перегрузки по току, этот продукт может мгновенно отключить электропитание, чтобы защитить электрооборудование от повреждения; когда линейное напряжение возвращается к норме, протектор может автоматически включить источник питания в обычном режиме. Этот предохранитель включает в себя защиту от перенапряжения, защиту от пониженного напряжения, защиту от перегрузки по току, защиту от трехфазной асимметрии напряжения, защиту от чередования фаз (защиту от неправильной фазы), защиту от обрыва нуля и защиту от обрыва фазы. Он имеет функции вольтметра и амперметра, а также функцию восстановления заводских настроек. Продукт имеет полные функции, стабильную работу и простоту в эксплуатации.

* O protetor multifuncional de sobretensão e subtensão da marca SINOTIMER da série STVP é um dispositivo de monitoramento e proteção auxiliar adequado para sistema de alimentação trifásica de quatro fios ou equipamento elétrico. Sua principal característica é que a linha é sobretensão ou subtensão, e o estado de sobrecorrente, este produto pode cortar a fonte de alimentação instantaneamente para proteger o equipamento elétrico de ser danificado; quando a tensão da linha voltar ao normal, o protetor pode ligar automaticamente a fonte de alimentação normalmente. Este protetor integra proteção de sobretensão, proteção de subtensão, proteção de sobrecorrente, proteção de desequilíbrio de tensão trifásica, proteção de sequência de fase (proteção de fase errada), proteção de quebra zero e proteção de quebra de fase. Tem as funções de voltmeter e amperímetro e função de restaurar as configurações de fábrica. O produto tem funções completas, desempenho estável e fácil operação.

* STVP series SINOTIMER brand automatic reset over-voltage and under-voltage multi-function protector is a monitoring and auxiliary protection device suitable for three-phase four-wire power supply system or electrical equipment. Its main feature is that the line is overvoltage or undervoltage, and the overcurrent state, this product can cut off the power supply instantly to protect the electrical equipment from being damaged; when the line voltage returns to normal, the protector can automatically turn on the power supply normally. This protector integrates over-voltage protection, under-voltage protection, over-current protection, three-phase voltage unbalance protection, phase sequence protection (wrong phase protection), zero-break protection, and phase-break protection. It has the functions of voltmeter and ammeter, and Restore factory settings function. The product has complete functions, stable performance and easy operation.

THE GROWING IMPROVEMENT OF 3 PHASE VOLT PROTECTOR

| Series | STVP-930 | STVP-932 | STVP-936 | STVP-935A |
|-------------------------------|--------------------|---------------------------|-----------------------------|----------------------------|
| Selling Point | LED Indicator Type | Single Adj Volt Protector | Dual Adj Volt&Amp Protector | LED Adj Volt&Amp Protector |
| Rated Ampere | 50A/63A/80A | 40A/50A/63A/80A | 40A/50A/63A/80A | 40A/63A/80A/100A |
| Product Image | | | | |
| Overvoltage protection | ■ | ■ | ■ | ■ |
| Undervoltage protection | ■ | ■ | ■ | ■ |
| Break Zero Wire Protection | ■ | ■ | ■ | ■ |
| Phase Loss protection | ■ | ■ | ■ | ■ |
| Phase Sequence protection | □ | ■ | ■ | ■ |
| 3 Phase Volt/Amp Unbalance | □ | ■ | ■ | ■ |
| Limit Ampere Protection | ■ | ☒ | ■ | ■ |
| OV Protect Value Adjust | ■ | ■ | ■ | ■ |
| OV Recovery Value Adjust | ■ | ■ | ■ | ■ |
| UV Protect Value Adjust | ■ | ■ | ■ | ■ |
| UV Recovery Value Adjust | ■ | ■ | ■ | ■ |
| Fault Recovery Delay Time ADJ | ■ | ■ | ■ | ■ |
| Power on Delay Time ADJ | ■ | ■ | ■ | ■ |
| 3 phase Volt Display | ■ | ■ | ■ | ■ |
| 3 phase Amp Display | ■ | ☒ | ■ | ■ |

◆ Technical data

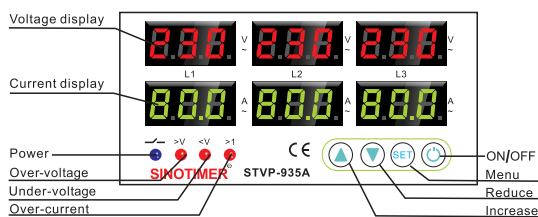
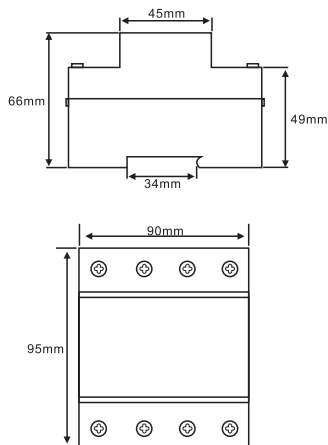
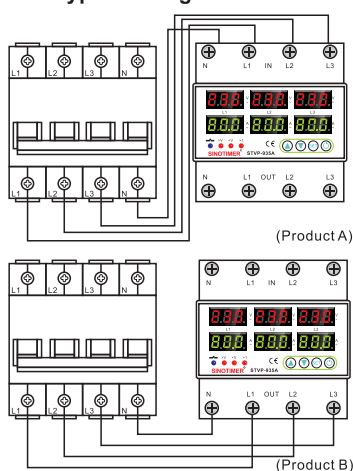
| | | |
|-----------------------------------|------------------------------------|------------------------------------|
| Rated supply voltage | AC 220V | AC 380V |
| Operation voltage range | AC80~400V(three phase) | AC140~700V(three phase) |
| Rated frequency | 50/60Hz | 50/60Hz |
| Electric current(>A)setting range | 1~40A/63A/80A/100A | 1~40A/63A/80A/100A |
| Overtoltage(>U)setting range | 230~300V | 390~500V |
| Undervoltage(<U)setting range | 210~140V | 370~260V |
| Rated current | 40A/63A/80A/100A | 40A/63A/80A/100A |
| >U and <U trip delay | 0.1~30S | 0.1~30S |
| Reset/start delay | 1~500S | 1~500S |
| Voltage measurement accuracy | 2% | 2% |
| Rated insulation voltage | 400V | 400V |
| Output contact | 3NO | 3NO |
| Electrical life | 10 ⁵ | 10 ⁵ |
| Mechanical life | 10 ⁶ | 10 ⁶ |
| Protection degree | Ip20 | Ip20 |
| Pollution degree | 3 | 3 |
| Altitude | ≤2000m | ≤2000m |
| Operating temperature | -10℃~50℃ | -10℃~50℃ |
| Humidity | ≤50% at 40℃ (without condensation) | ≤50% at 40℃ (without condensation) |
| Storage temperature | -10℃~55℃ | -10℃~55℃ |

| Rated supply voltage | AC 220V | | | | AC 380V | | | |
|---|---------|------|------|------|---------|-----|------|------|
| | 40A | 63A | 80A | 100A | 40A | 63A | 80A | 100A |
| Current specification | 40A | 63A | 80A | 100A | 40A | 63A | 80A | 100A |
| Rated operating current(In,A) | 40 | 63 | 80 | 100 | 40 | 63 | 80 | 100 |
| Maximum operating current I _{max} (A,with in 10 min) | 63A | 80A | 100A | 125A | 63A | 80A | 100A | 125A |
| Max.power of load(kW) | 8.8 | 13.9 | 17.6 | 22 | 15.2 | 24 | 30.4 | 38 |

◆ Default setting

| Technical parameter | Setting range | Interval | Upper LED Displays | Factory setting |
|---|--------------------|----------|--------------------|-----------------|
| Power-on delay time | 1~500S | 1S | [P-1] | 10S |
| Over-voltage protection value | 230~300V/390~500V | 1V | [O-1] | 270V/430V |
| Over-voltage recovery value | 225~295V/385~495V | 1V | [U-2] | 265V/425V |
| Over-voltage recovery delay time | 1~500S | 1S | [U-3] | 30S |
| Over-voltage protection action time | 0.1~30S | 0.1S | [U-4] | 1S |
| Under-voltage protection value | 210~140V/370~260V | 1V | [U-5] | 170V/330V |
| Under-voltage recovery value | 215~145V/375~265V | 1V | [U-6] | 175V/335V |
| Under-voltage recovery delay time | 1~500S | 1S | [U-7] | 30S |
| Under-voltage protection action time | 0.1~30S | 0.1S | [U-8] | 1S |
| Three phase voltage error value | -9.5~9.5% | 0.5% | [U-9] | 0% |
| Three phase voltage unbalance value | 20~99V | 1V | [0-10] | 20V |
| Three phase voltage unbalance recovery value | 5~94V | 1V | [0-11] | 15V |
| Three phase voltage unbalance protection switch | OFF/ON | | [U-12] | on |
| Phase sequence protection switch | OFF/ON | | [U-13] | on |
| Over-current protection value | 1~40A/63A/80A/100A | 0.1A | [C-1] | 30A |
| Over-current recovery delay time | 1~500S | 1S | [C-2] | 30S |
| Over-current protection action time | 0.1~30S | 0.1S | [C-3] | 1S |
| Three phase current error value | -9.5~9.5% | 0.5% | [C-4] | 0% |
| Continuous over-current protect times | 1~20/oFF | 1 | [C-5] | OFF |

◆ Two Types Wiring and Dimension



◆ Function setting

- [220] [220] [220] Voltage display
- [200] [200] [200] Current display
- [P-1] Power-on delay time
- [10] 1~500S
- [O-1] Over-voltage protection value
- [270] 230~300V(220V)
390~500V(380V)
- [U-2] Over-voltage recovery value
- [265] 225~295V(220V)
385~495V(380V)
- [U-3] Over-voltage recovery delay time
- [30] 1~500S
- [U-4] Over-voltage protection action time
- [10] 0.1~30S
- [U-5] Under-voltage protection value
- [170] 210~140V(220V)
370~260V(380V)
- [U-6] Under-voltage recovery value
- [175] 215~145V(220V)
375~265V(380V)
- [U-7] Under-voltage recovery delay time
- [30] 1~500S
- [U-8] Under-voltage protection action time
- [10] 0.1~30S
- [U-9] Three phase voltage error value
- [0] -9.5~9.5%
- [0-10] Three phase voltage unbalance value
- [20] 20~99V
- [0-11] Three phase voltage unbalance recovery value
- [15] 5~94V
- [U-12] Three phase voltage unbalance protection switch
- [on] oFF/on
- [U-13] Phase sequence protection switch
- [on] oFF/on
- [C-1] Over-current protection value
- [300] 1~40A/63A/80A/100A
- [C-2] Over-current recovery delay time
- [30] 1~500S
- [C-3] Over-current protection action time
- [10] 0.1~30S
- [C-4] Three phase current error value
- [0] -9.5~9.5%
- [C-5] Continuous over-current protect times
- [5] 1~20/oFF
- [P-1] Continue to press the [SET] key to cycle
- [10] Long press set for 5 seconds to save

⊙ To adjust the figure quickly by long time press the add or subtract key



Manufactured by SINOTIMER